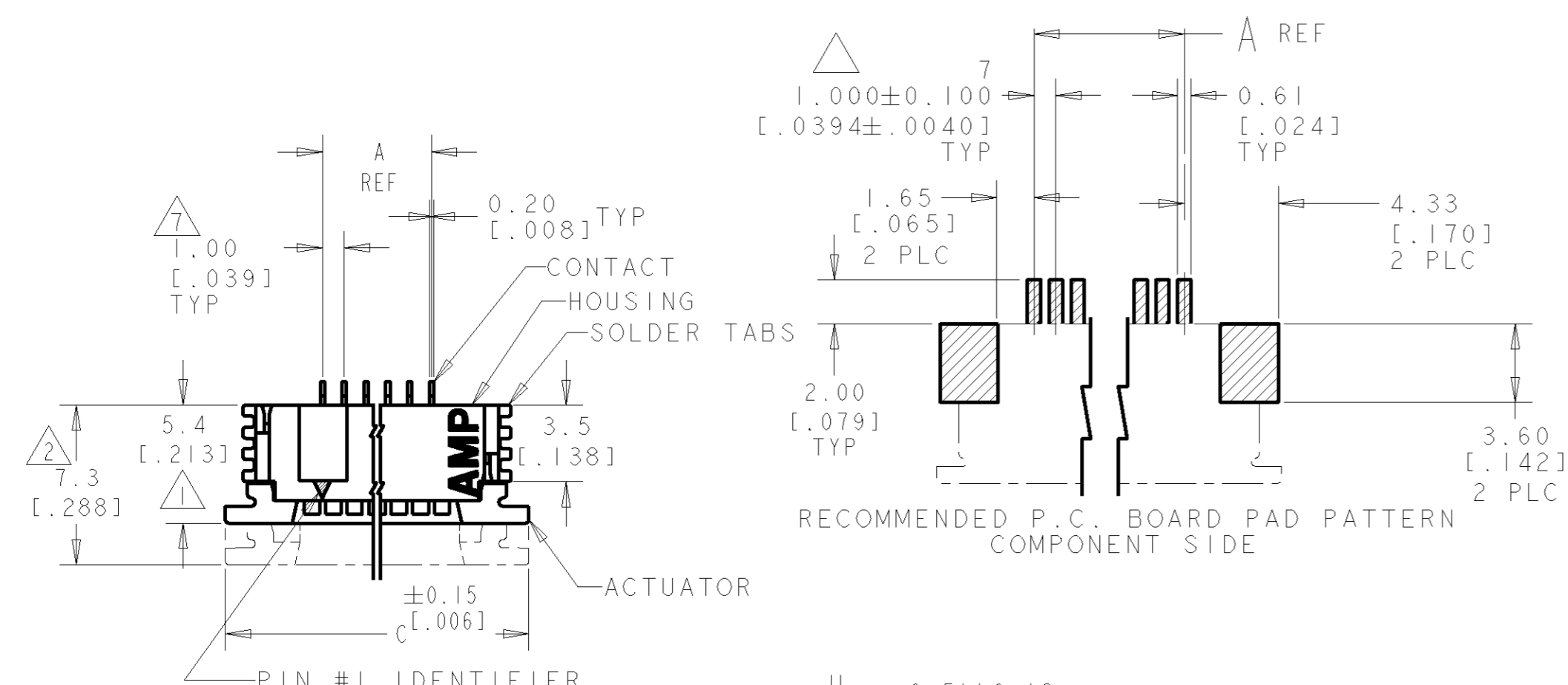
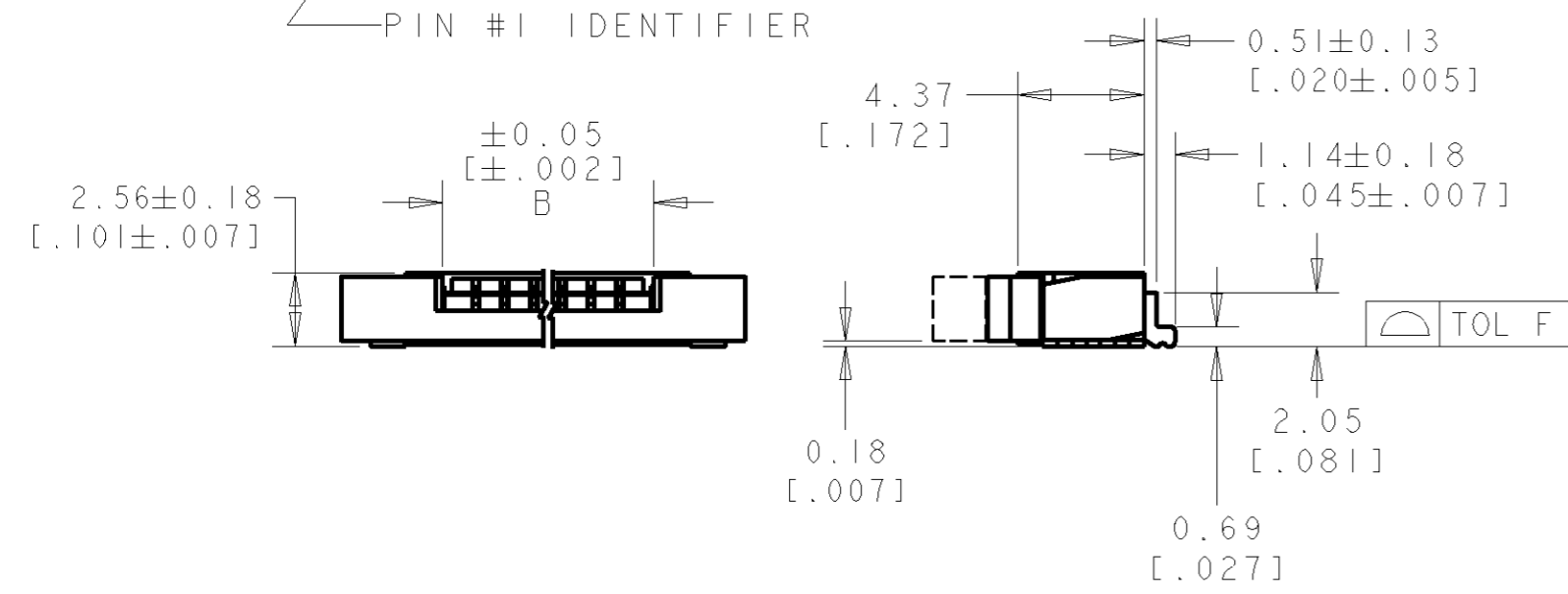


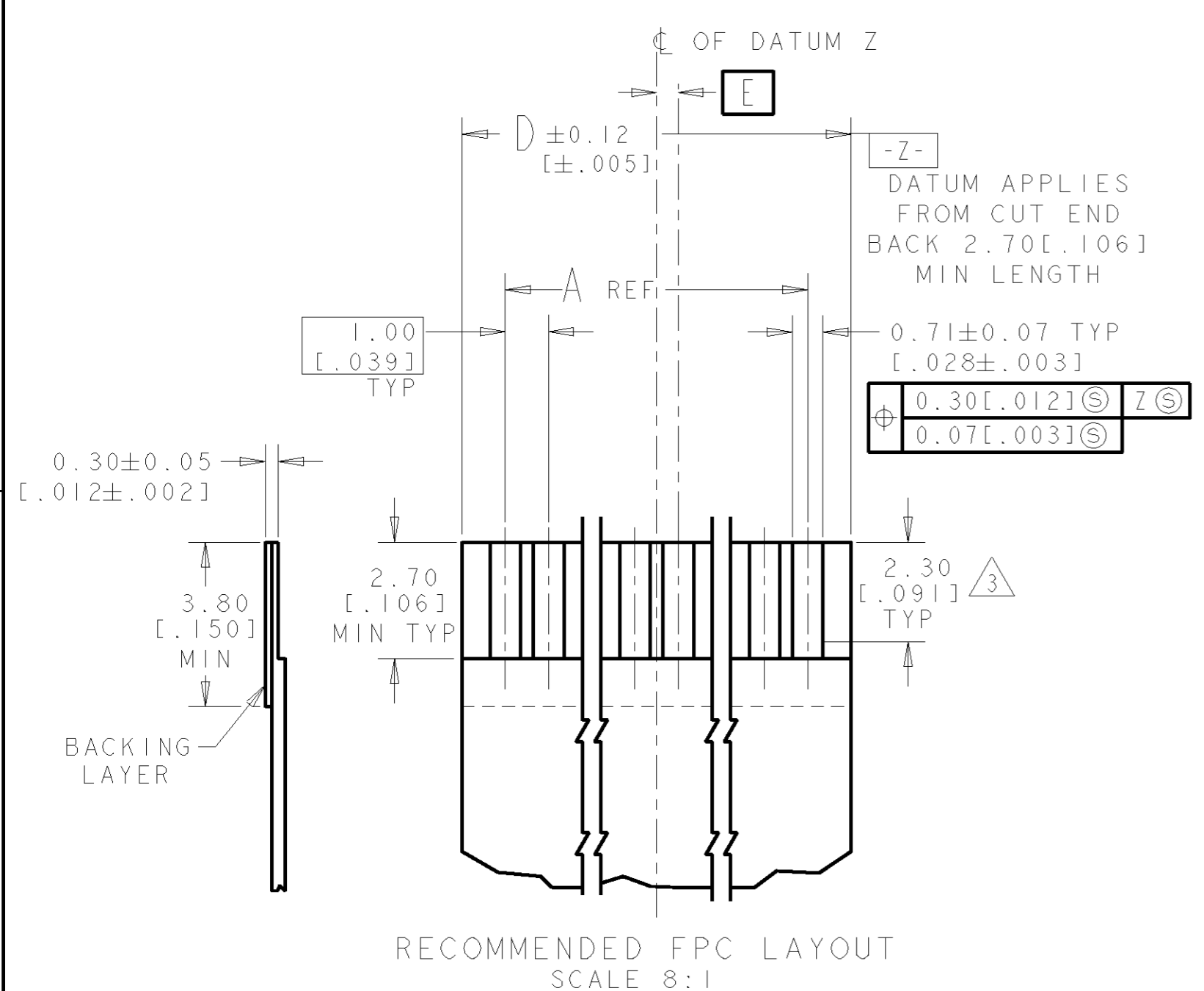
LOC		DIST		REVISIONS			
ZONE	LTR	DESCRIPTION	DATE	APPD			
C		REV PER EC OG52-0004-99	01/09/99	GDM			
D		REV PER EC OSIA-0104-99	10/15/99	SLB			
E		REV PER EC OSIA-0130-99	10/18/99	SLB			
F		REV PER OSIA-0182-99	01/09/00	SB			
G		REV PER OSIA-0143-00	06/11/00	SB			
H		REV PER FP00-0131-03	8JUL03	TLP			
J		REV PER FP00-0249-03	14NOV03	TLP			
JI		REV PER ECR-05-007949	13SEP05	VT			



- 1. DIMENSION APPLIES WHEN ACTUATOR IS IN CLOSED POSITION.
- 2. DIMENSION APPLIES WHEN ACTUATOR IS IN OPEN POSITION.
- 3. MAXIMUM ENGAGEMENT LENGTH TO CONTACT POINT.
- 4. 0.0038[.000150] MIN. TIN/LEAD OVER 0.0013[.000050] MIN. NICKEL.
- 5. 0.0013[.000050] MIN. TIN.
- 6. PACKAGE PER EIA 481 SPECIFICATION.
- 7. TOLERANCE NON-CUMULATIVE.
- 8. MATERIAL: CONTACT: PHOSPHOR BRONZE.
 SOLDER TABS: PHOSPHOR BRONZE.
 HOUSING: GLASS REINFORCED POLYESTER (LCP), UL 94V-0, COLOR-NATURAL.
 ACTUATOR: GLASS REINFORCED NYLON (PPA), UL 94V-0 OR GLASS REINFORCED PPS, UL 94V-0, COLOR-BLACK.



0.15 [.006]	.50	31.00 [1.221]	37.92 [1.492]	31.18 [1.228]	29.0 [1.142]	30	3- 487951- 0
	-	30.00 [1.181]	36.92 [1.454]	30.18 [1.188]	28.0 [1.102]	29	2- 487951- 9
	.50	29.00 [1.142]	35.92 [1.414]	29.18 [1.149]	27.0 [1.063]	28	2- 487951- 8
	-	28.00 [1.102]	34.92 [1.375]	28.18 [1.109]	26.0 [1.024]	27	2- 487951- 7
	.50	27.00 [1.063]	33.92 [1.335]	27.18 [1.070]	25.0 [.984]	26	2- 487951- 6
	-	26.00 [1.024]	32.92 [1.296]	26.18 [1.031]	24.0 [.945]	25	2- 487951- 5
	.50	25.00 [.984]	31.92 [1.257]	25.18 [.991]	23.0 [.906]	24	2- 487951- 4
	-	24.00 [.945]	30.92 [1.217]	24.18 [.952]	22.0 [.866]	23	2- 487951- 3
	.50	23.00 [.906]	29.92 [1.179]	23.18 [.913]	21.0 [.827]	22	2- 487951- 2
	-	22.00 [.866]	28.92 [1.139]	22.18 [.873]	20.0 [.787]	21	2- 487951- 1
	.50	21.00 [.827]	27.92 [1.099]	21.18 [.834]	19.0 [.748]	20	2- 487951- 0
	-	20.00 [.787]	26.92 [1.060]	20.18 [.794]	18.0 [.709]	19	1- 487951- 9
	.50	19.00 [.748]	25.92 [1.020]	19.18 [.755]	17.0 [.669]	18	1- 487951- 8
	-	18.00 [.709]	24.92 [.981]	18.18 [.716]	16.0 [.630]	17	1- 487951- 7
	.50	17.00 [.669]	23.92 [.942]	17.18 [.676]	15.0 [.591]	16	1- 487951- 6
-	16.00 [.630]	22.92 [.902]	16.18 [.637]	14.0 [.551]	15	1- 487951- 5	
0.10 [.004]	.50	15.00 [.591]	21.92 [.863]	15.18 [.598]	13.0 [.512]	14	1- 487951- 4
	-	14.00 [.551]	20.92 [.824]	14.18 [.558]	12.0 [.472]	13	1- 487951- 3
	.50	13.00 [.512]	19.92 [.784]	13.18 [.519]	11.0 [.433]	12	1- 487951- 2
	-	12.00 [.472]	18.92 [.745]	12.18 [.480]	10.0 [.394]	11	1- 487951- 1
	.50	11.00 [.433]	17.92 [.705]	11.18 [.440]	9.0 [.354]	10	1- 487951- 0
	-	10.00 [.394]	16.92 [.666]	10.18 [.401]	8.0 [.315]	9	487951- 9
	.50	9.00 [.354]	15.92 [.627]	9.18 [.361]	7.0 [.276]	8	487951- 8
	-	8.00 [.315]	14.92 [.587]	8.18 [.322]	6.0 [.236]	7	487951- 7
	.50	7.00 [.276]	13.92 [.548]	7.18 [.283]	5.0 [.197]	6	487951- 6
	-	6.00 [.236]	12.92 [.509]	6.18 [.243]	4.0 [.157]	5	487951- 5
.50	5.00 [.197]	11.92 [.469]	5.18 [.204]	3.0 [.118]	4	487951- 4	



DO NOT SCALE PRINT. UNLESS SPECIFIED DIMENSIONS IN mm [INCHES] TOLERANCES ON: 1 PL DEC ± 0.2 [1.008] 2 PL DEC ± 0.1 [1.004] ANGLES ± -

DR 4-27-92 ED FICKES
 CHK 4-27-92 J CONSOLI
 APPD 5-4-92 R.KILE

AMP AMP MANUFACTURING SINGAPORE PTE. LTD.

NAME: 1 mm FPC CONNECTOR, HORIZONTAL, SURFACE-MOUNT, TOP CONTACT

APPD SF LEONG
 PRODUCT SPEC 108-1393

FINISH CONTACTS: 4 SOLDER TABS: 5

APPLICATION SPEC 114-1072
 WEIGHT -

SIZE A2 CAGE CODE 00779 DRAWING NO 487951
 SCALE 4:1 SHEET 1 OF 1